

Profile I 80

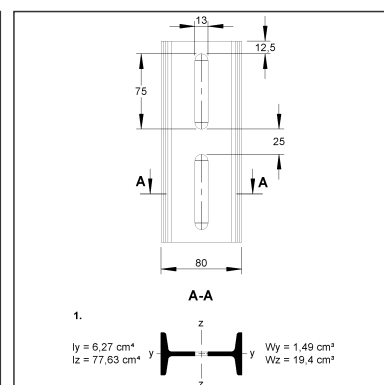
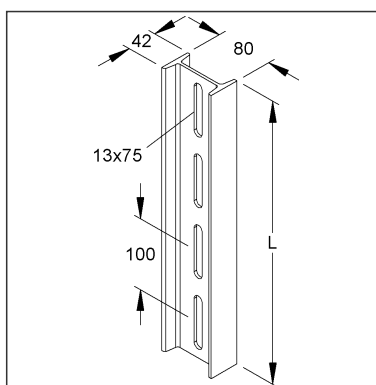
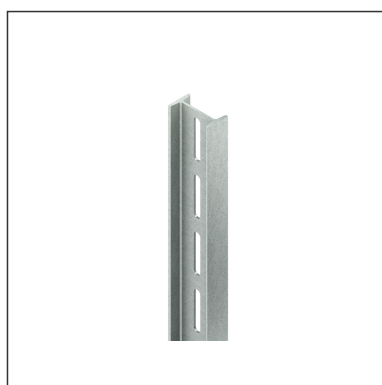
acc. to DIN 1025

I 80/400 FL

EAN Code: 4013339180509

Smallest packaging unit: 1 pc.

the photorealistic images are to be considered as reference images



Article Description

Profile I 80 acc. to DIN 1025, 80x42x400 mm, perforated, steel, hot dip galvanised DIN EN ISO 1461

Additional Price Information

Article group	N13
quantity unit	pcs.

Weight

Weight per quantity unit	2,492 kg / pcs.
Weight in kg per 100	249 kg / 100pcs.

Physical Article Dimensions

Height	42.00 mm
Width	80.00 mm
Depth/length	400 mm

Technical Datasheet

Profile and Overhead Hanger

I 80/400 FL

the photorealistic images are to be considered as reference images

Packing Dimension

1 piece = 1 piece		✓ VP1-smallest packaging unit (PU)			
Lenght	400 mm	Width	80.00 mm	Height	42.00 mm
Gross weight	2,49 kg	Volume	0,001 m ³		
Min. quantity	1.00 pcs.	Max. Quantity	1.00 pcs.		

Tender Text

Profile I 80 acc. to DIN 1025, continuously perforated, for the creation of overhead hangers and support structures with system components as well as STIC... and STIW...

Dimensions (approx. dimensions)

I-profile : 80 x 42 mm

Profile perforation, single row : 13 x 75 mm

central distance : 100 mm

Length L : 400 mm

Material : steel, hot-dip galvanised acc. to DIN EN ISO 1461

NIEDAX model no. : I 80/400 FL

EP material_____ EP wage_____

Unit price/piece

Safety & Environment

REACH Date	05.11.2025
REACH Info	Conformable
RoHS Info	Conformable

Origin & International Trade

Country of origin	DE
Federal State of Origin	RP
Customs tariff number	73089059